

[®]
BADU



BADU[®]
COMBINATION
UNITS





SIMPLER POOL PUMP & FILTER INSTALLATION

**YOU
KNOW!**



- ✔ The installation of an average pool pump can take as much as four hours?
- ✔ Another 2-4 hours is required for the installation of an average pool filter?
- ✔ Any new installation of a BADU®Combi range unit can be completed in under 1 hour.



**PERFECT FOR
DO-IT-EASY
ENTHUSIASTS**



SPECK

is the greatest name in pumps in South Africa and across the world. We provide South Africa with a range of pool pumps and swimming pool accessories. For more than a century, German-headquartered Speck has designed and manufactured innovative, high quality pumps for the swimming pool industry worldwide.

At Speck, we offer a range of swimming pool pumps, filters, equipment and associated accessories for the maintenance and care of swimming pools.

We are technology leaders in our industry and this is again evident in the design of our BADU®Combi range of combination units. Engineered for easy installation, these combination units combine the sand filter and pool pump into one easy-to-install unit. The unit is factory seated on a base already fitted with a plumbing system for easy connection to your swimming pool and backwash outlet.



GETTING ACQUAINTED WITH OUR BADU® COMBI UNITS



THE BADU® COMBI UNITS

combine the AQUASWIM® sand filter with A BADU® Porpoise self-priming pool pump. The unit is contained in a three-piece high-quality housing assembly, complete with a fully integrated DB box. The BADU® Porpoise range of pumps remains unsurpassed in its quality of material, workmanship and functional durability. The AQUASWIM® range of sand filters is strong, reliable and simple to operate.

THE BADU® ECO TOUCH UNIT

is also a pre-fabricated filtration system ready to install. It combines the AQUASWIM® sand filter with the BADU® Eco Touch self-priming pool pump, three-piece high-quality housing and a fully integrated DB box. Due to highly innovative motor technology, the self-priming circulation pump BADU® Eco Touch is revolutionizing energy consumption, operating costs, water quality and lower CO2 emissions. It is designed for quiet operation as well.



INSTALLATION EFFICIENCY AT ITS BEST

As prefabricated filtration systems ready to install, with a plumbed base, these units are attractive thanks to the ease of installation. Ideal for the DIY enthusiast or pool builder looking for a time-saving combo unit install.

The size of the swimming pool determines the required BADU®Combi.

The units that we have available are:

- ✓ Combi 2
- ✓ Combi 3
- ✓ Combi 4
- ✓ Combi 3 Eco Touch

The BADU®Combi range is fully factory tested and under normal operating conditions carries a 36-month ex-factory warranty on the pump, 60-months ex-factory on the AQUASWIM® sand filter and a 12-month ex-factory warranty on the distribution box from date of purchase.



Technical Data

Code / Kode	Description / Beskrywing
700.1105.520	Combi 2 Porpoise 10 Std Black
700.1105.580	Combi 3 Porpoise 16 Std Black
700.1105.610	Combi 4 Porpoise 22 Std Black

Technical data / Tegniese data		BADU®Porpoise 10	BADU®Porpoise 16	BADU®Porpoise 22
Inlet / outlet connection (Rp)2"		50/40	50/40	50/40
Rec. inlet / outlet pipe, PVC-pipe, d4"		50/40	50/50	63/50
Power input P1 (kW)	1-230V	0.67	1.10	1.50
Power output P2 (kW)	1-230V	0.45 ¹⁾	0.75 ¹⁾	1.10 ¹⁾
Rated current (A)	1-230V	3.10	4.80	6.30

*Refer to Foot notes and Abbreviations on page 82.

**Verwys na die Voetnote en Afkortings op bladsy 82.

Technical data / Tegniese data	AQUASWIM®2	AQUASWIM®3	AQUASWIM®4
Filter in m ²	0.21	.027	0.29
Filter size in inch	20	24	28
Filter sand in kg	80	120	160

Motor speed approx. (rpm) 2840
 Max. Water temperature (°C) 60
 Max. Casing pressure (bar) 2.5

Motorspoed ongeveer (r.p.m.) 2840
 Maks. Watertemperatuur (°C) 60
 Maks. Omhulseldruk (bar) 2.5

Technical data / Tegniese data
 Inlet / outlet connection (Rp)2"
 Inlet / outlet pipe, PVC-pipe, d4"
 Power input P1 (kW) 1-230V
 Power output P2 (kW) 1-230V
 Rated current (A) 1-230V

BADU®Eco Touch
 63/50
 63/50
 0.40 / 0.70 / 1.05
 0.28 / 0.50 / 0.75
 2.80 / 4.80 / 7.20

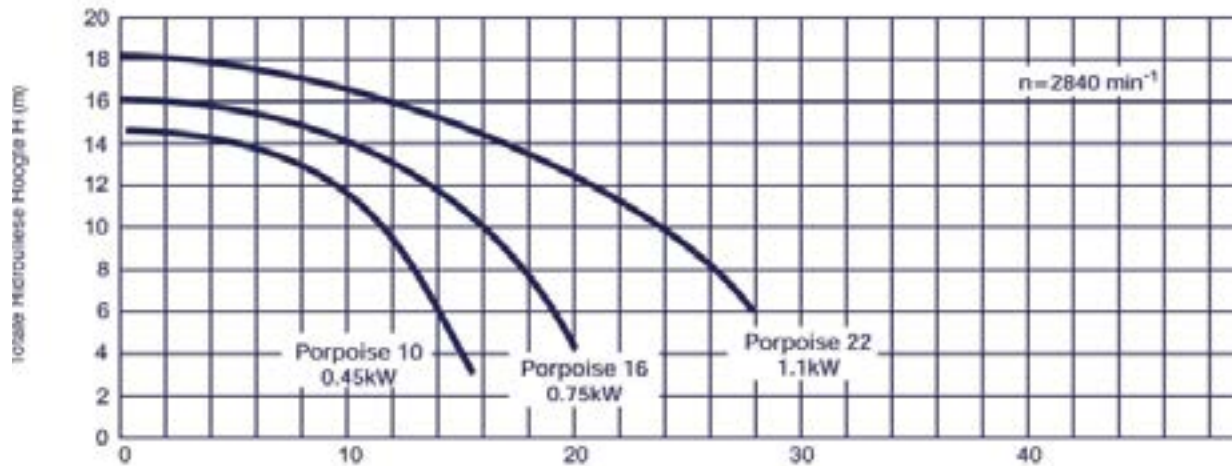
Motor speed approx. (rpm) 2000 / 2430 / 2830
 Max. Water temperature (°C) 60
 Max. Casing pressure (bar) 2.5

Motorspoed ongeveer (r.p.m.) 2000 / 2430 / 2830
 Maks. Watertemperatuur (°C) 60
 Maks. Omhulseldruk (bar) 2.5

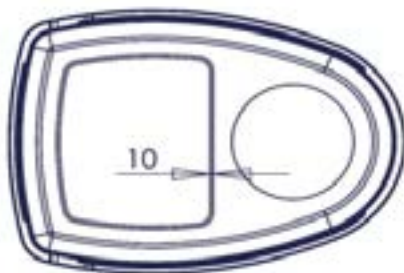
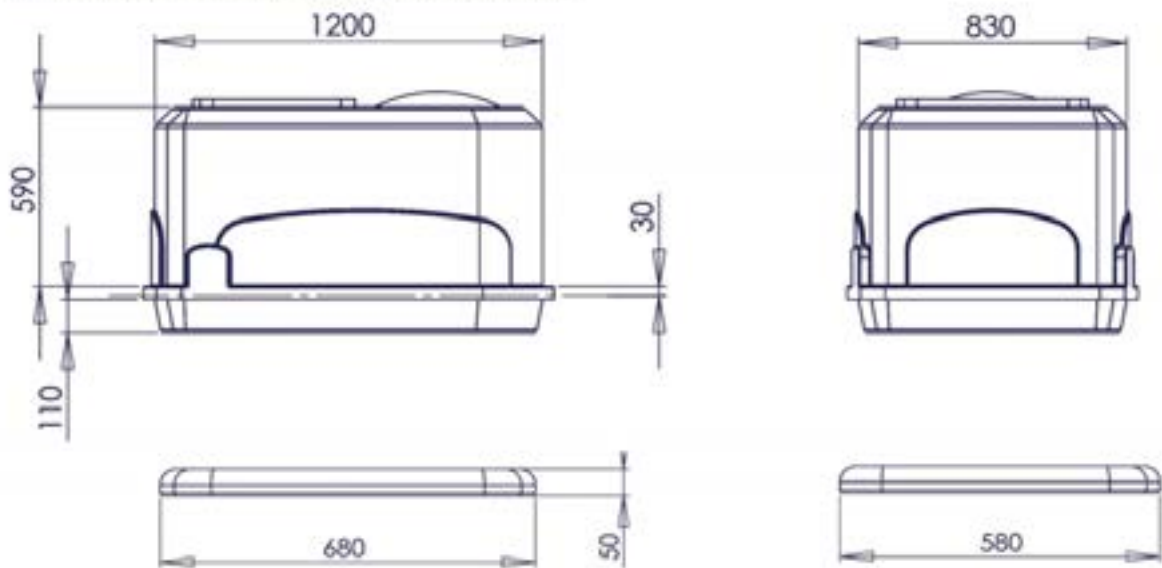


BADU® Porpoise

Self-priming circulation pumps



DIMENSIONAL DRAWING / DIMENSIONELE SKETS



BADU®Combi range dimension table (mm)

BADU®Combi-afmetingstabel (mm)

Height / Hoogte	590
Length / Lengte	1200
Width (Base) / Breedte (Basis)	830
Width (Top) / Breedte (Bokant)	830
Depth (Base) / Diepte (Basis)	110

BADU®Combi – BADU®Eco Touch

Self-priming circulation pumps

Technical data / Technische data

Inlet / outlet connection (Rp)2"

Inlet / outlet pipe, PVC-pipe, d4)"

Power input P1 (kW)

Power output P2 (kW)

Rated current (A)

1-230V

1-230V

1-230V

BADU®Eco Touch

63/50

63/50

0.40 / 0.70 / 1.05

0.28 / 0.50 / 0.75

2.80 / 4.80 / 7.20

Motor speed approx. (rpm) 2000 / 2430 / 2830

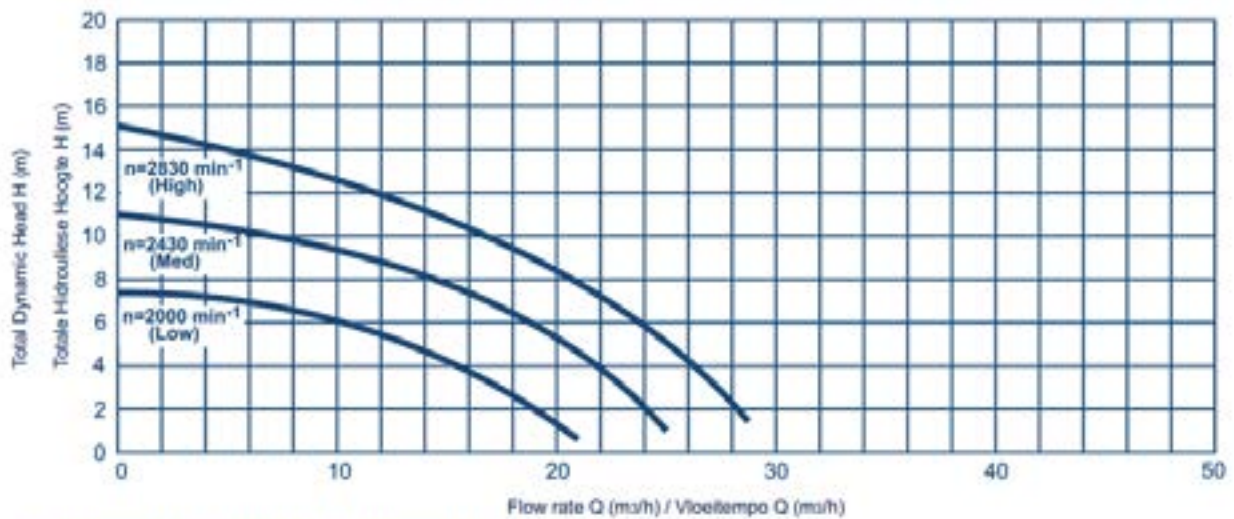
Max. Water temperature (°C) 60

Max. Casing pressure (bar) 2.5

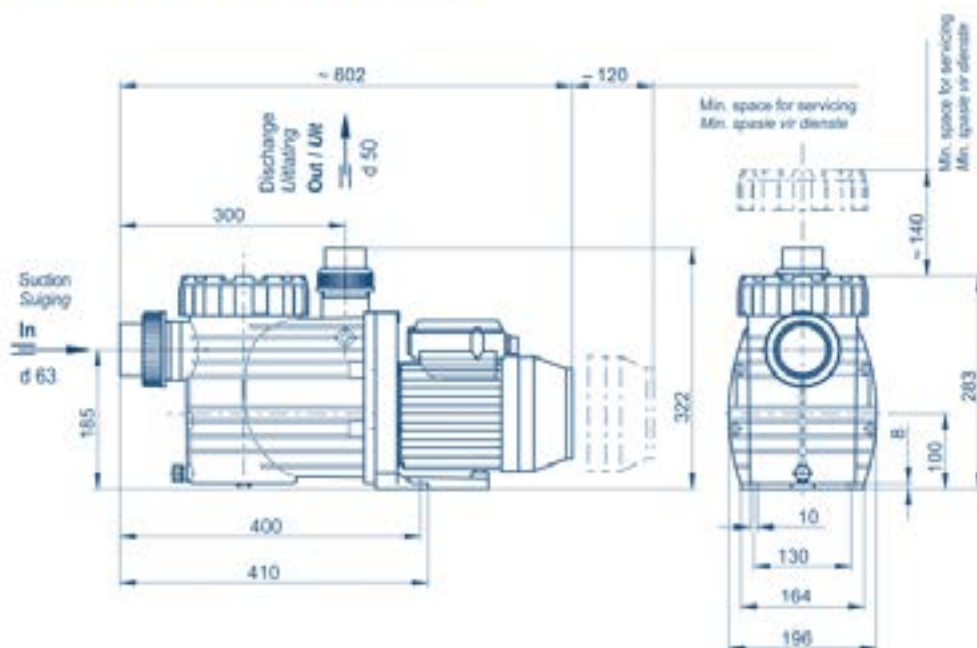
Motorspoed ongeveer (r.p.m.) 2000 / 2430 / 2830

Maks. Watertemperatuur (°C) 60

Maks. Omhulsedruk (bar) 2.5



DIMENSIONAL DRAWING / DIMENSIONELE SKETS



DURBAN BRANCH

P.O. Box 267
Pinetown, 3600
Unit 1 & 2, Goodwood Park
10 Goodwood Road
Westmead, Pinetown, 3610
Tel: +27 31 700 8005
Fax: +27 31 700 8006

JOHANNESBURG BRANCH

P.O. Box 2425
Bedfordview, 2008
4 Bart Street
Wilbart
Germiston, 1609
Tel: +27 11 455 4300
Fax: +27 11 455 1949

HEAD OFFICE

CAPE TOWN BRANCH

P.O. Box 39340
Capricorn Square, 7948
Unit 7, Southern Cross Village
Capricorn Boulevard South
Capricorn Park
Muizenberg, 7945
Tel: +27 21 704 1143
Fax: +27 21 703 4374

PRETORIA BRANCH

P.O. Box 2425
Bedfordview, 2008
Unit 4, 123 Mosaic Street
Silvertondale, Pretoria, 0184
Tel: +27 12 804 1294
Fax: +27 12 804 1295

SPECK X

speck-pumps.co.za