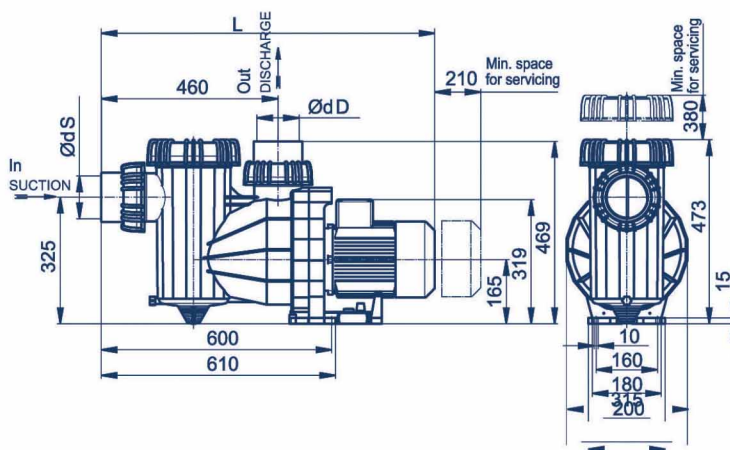


### DIMENSIONAL DRAWING / DIMENSIONELE SKETS



BADU®Resort range dimension table (mm) / BADU®Resort-afmetingstabel (mm)

Type / Model	Height / Hoogte	Length / Lengte	Width / Breedte	Inlet / Inlaat	Outlet / Uitlaat	Weight / Gewig
BADU®30	469	795	315	70	75	23
BADU®40	469	840	315	90	90	26
BADU®45	469	840	315	90	90	28
BADU®50	469	845	315	110	110	29
BADU®55	469	870	315	110	110	34
BADU®60	469	840	315	110	110	28
BADU®70	469	845	315	110	110	29
BADU®80	469	870	315	140	140	34
BADU®110	469	885	315	160	140	41

Technical data / Tegniese data	BADU®Resort	60	70	80	110
Rec. inlet / outlet pipe, PVC pipe, d		110/110	110/110	140/140	160/140
Power input P <sub>1</sub> (kW)	3~Y/D 400/230V 3~Y/D 690/400V	3.3 -	3.8 -	- 4.8	- 6.4
Power output P <sub>2</sub> (kW)	3~Y/D 400/230V 3~Y/D 690/400V	2.6 -	3.0 -	- 4.0	- 5.5
Rated current (A)	3~Y/D 400/230V 3~Y/D 690/400V	5.6/9.7 -	6.2/10.7 -	- 4.5/7.8	- 6.3/11.0